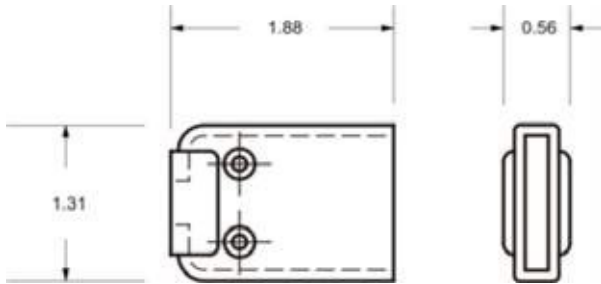


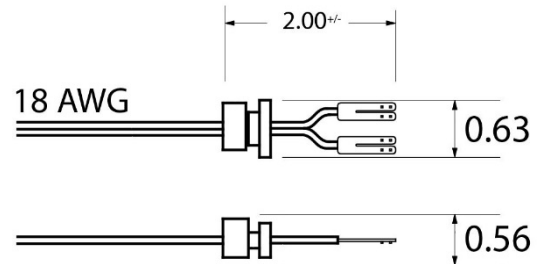
# Light Tape® Connector Specifications

The entire back side of Light Tape® is conductive. Unlike other antiquated technologies, you can make a connection anywhere and Light Tape® will illuminate evenly. No need to worry about the electrode detaching from the Light Tape®. We offer a variety of connector and connecting pin options.

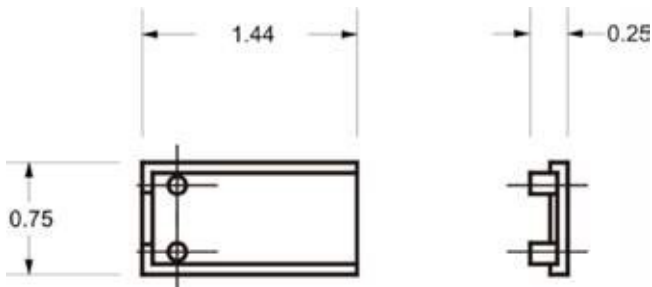
**Large Connector Cap  
for 0.5" and wider**



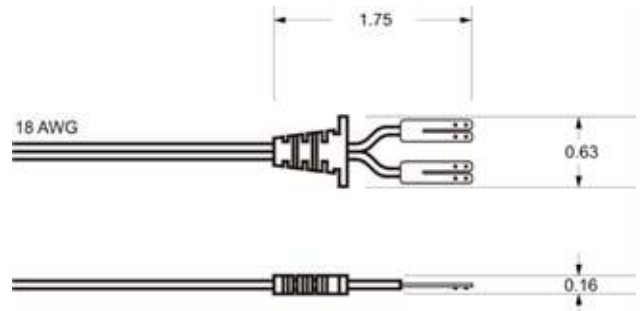
**Standard connector, strain relief, with 6  
foot black lead**



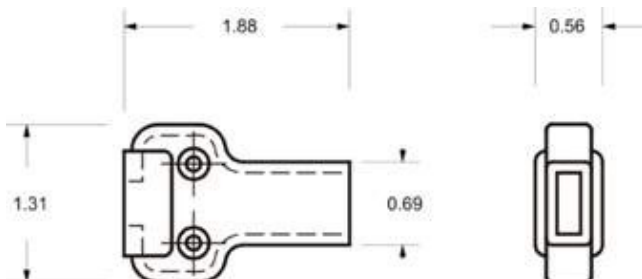
**Low Profile Connector Cap**



**Low Profile Connector  
with 3 foot white lead**



**Small Connector Cap for 0.25"**



**Standard connector, strain relief, with 6  
foot black lead**

